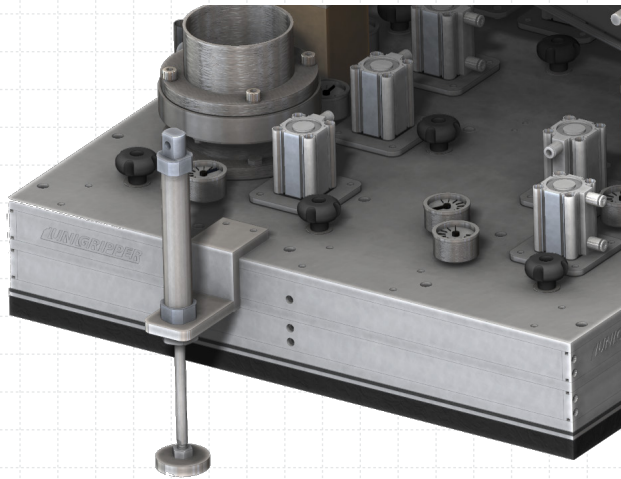
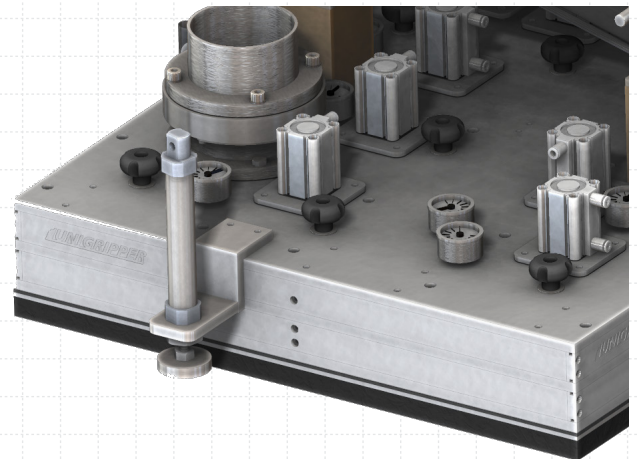


Searching the height of a pallet stack with the UniGripper can be done in several ways. It can be done with direct sensors for height detection, but the most common way we implement the functionality is by using a search foot. The search foot is a cylinder, which is lowered down below the Unigripper plate while searching for the top of the pallet. By sensing when the cylinder gets compressed, the top of the pallet can be calculated and the first layer can be securely picked.



*Pallet foot in search position*



*Pallet foot when not used*